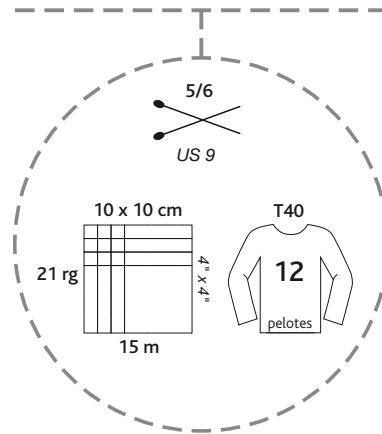


# ESTIVALE

70% acrylique, 20% coton,  
8% viscose, 2% acétate  
pelotes de 50 g = 55 m±  
sachets de 500 g

70% acryl, 20% cotton,  
8% viscose, 2% acetate  
balls 1-3/4 oz = 60 yds±  
bags 17.6 oz

lavage 30° C *Machine washable*  
cycle laine *Wool program 30° C*  
pas de chlore *Do not bleach*  
séchage à plat *Do not tumble dry*  
repassage doux *Cool iron*



11

02

13

14

01



plassard

l a p e l o t e a t t i t u d e