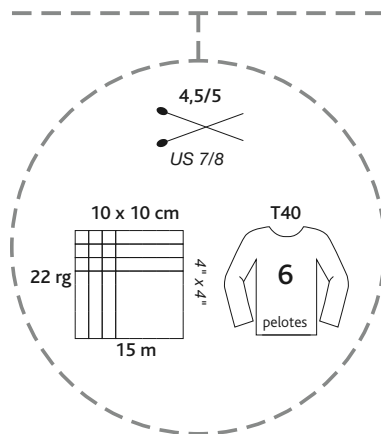


# ALTI PLANO

70% acrylique, 20% alpaga, 10% laine  
 pelotes de 100 g = 200 m±  
 sachets de 1000 g

**70% acrylic, 20% alpaga, 10% wool**  
 balls 3 - 1/2 oz = 218 yds±  
 bags 35,2 oz

lavage machine 30°C    *Machine wash 30°C*  
 pas de chlore        *Do not bleach*  
 séchage à plat       *Do not tumble dry*  
 pas de repassage     *Do not iron*



116                      100                      167                      131                      127



105                      106                      177                      117                      104                      123                      115                      164



plassard

l a p e l o t e a t t i t u d e